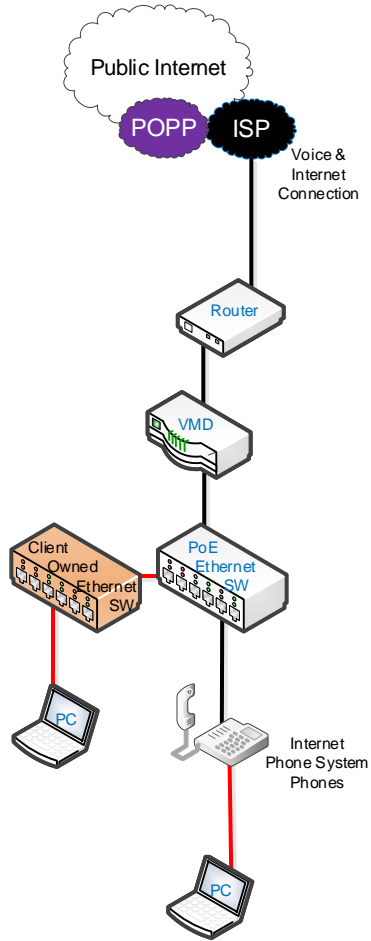


# Internet Phone System WAN/Firewall Network Scenarios

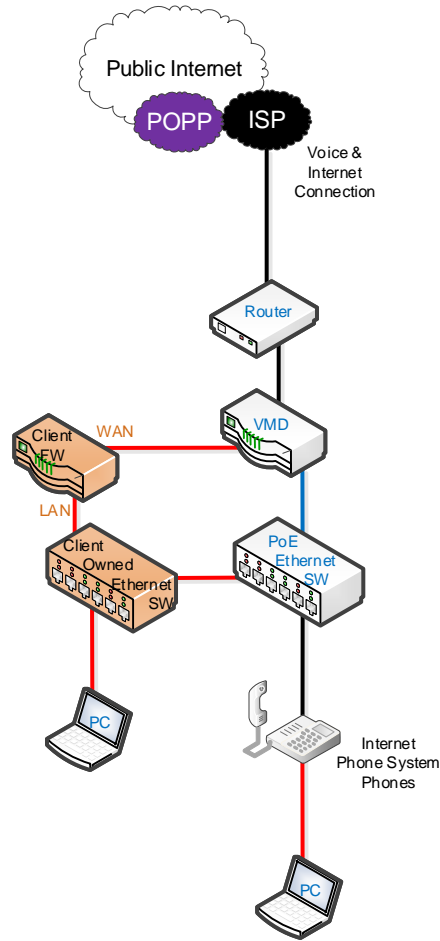
## SCENARIO A

- Single Connection
- Client does not have their own firewall
- VMD acts as a basic firewall for client



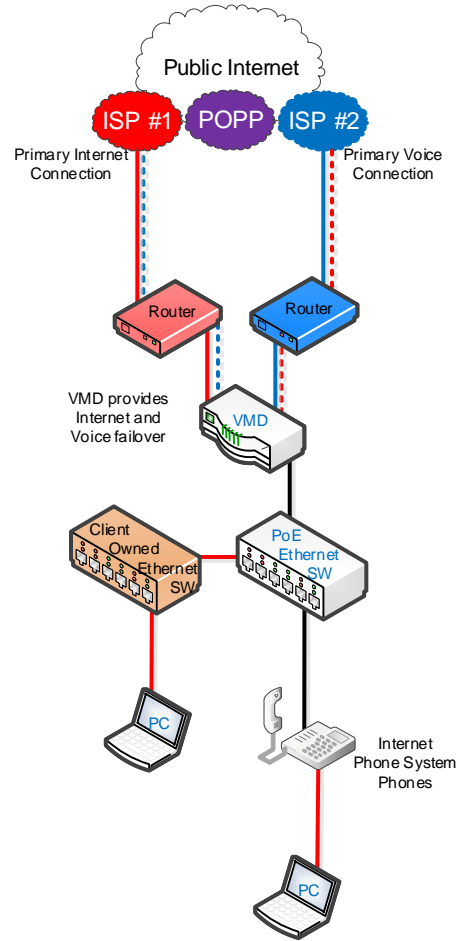
## SCENARIO B

- Single Connection
- Client has (or intends to purchase) a firewall



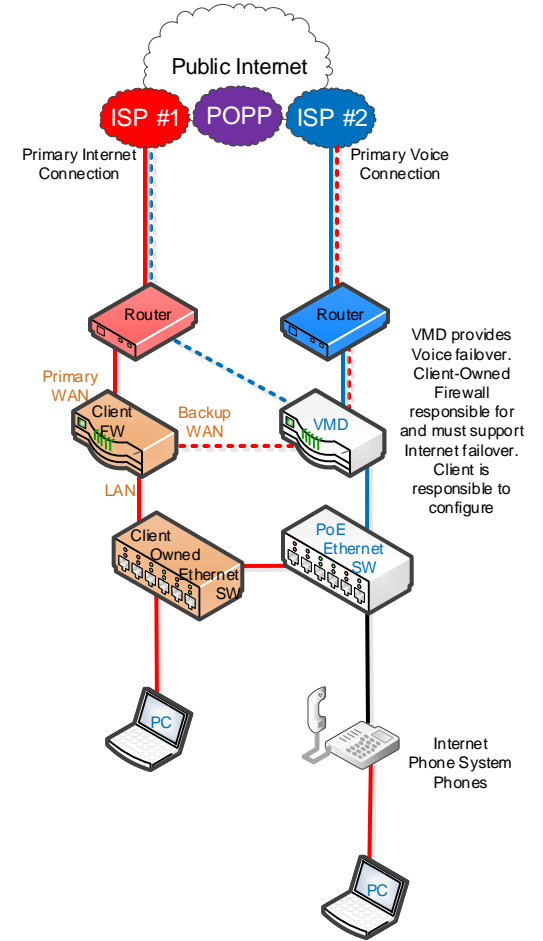
## SCENARIO C

- Two Connections
- Client does not have their own firewall
- Client does not need advanced firewall capabilities
- VMD acts as a basic firewall for client



## SCENARIO D

- Two Connections
- Client has (or intends to purchase) a firewall



— Voice & Internet Path  
 — Primary Internet Path  
 — Primary Voice Path  
 - - - Backup Internet Path  
 - - - Backup Voice Path  
 VMD = VoIP Management Device